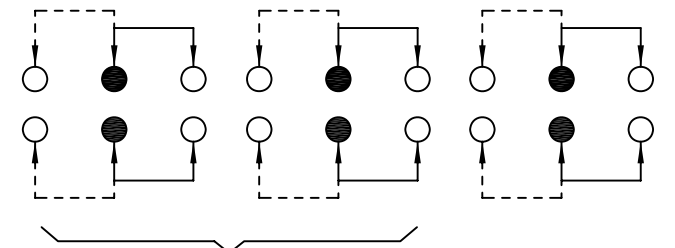
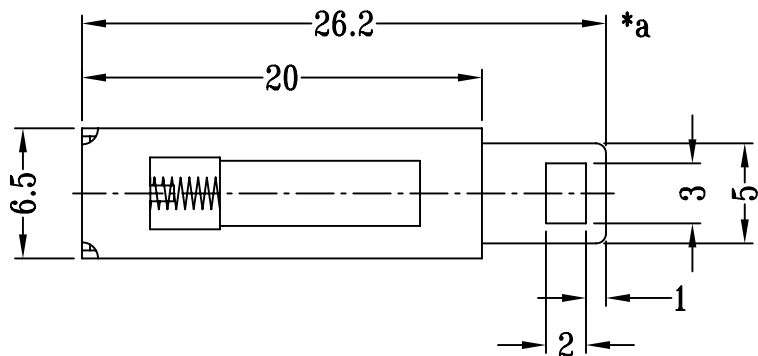


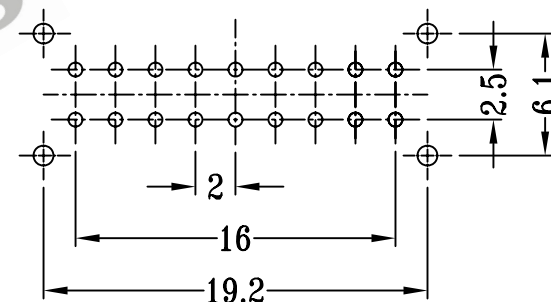
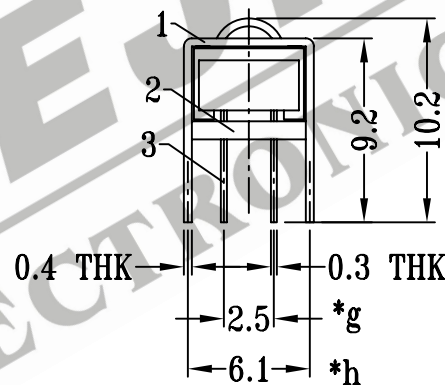
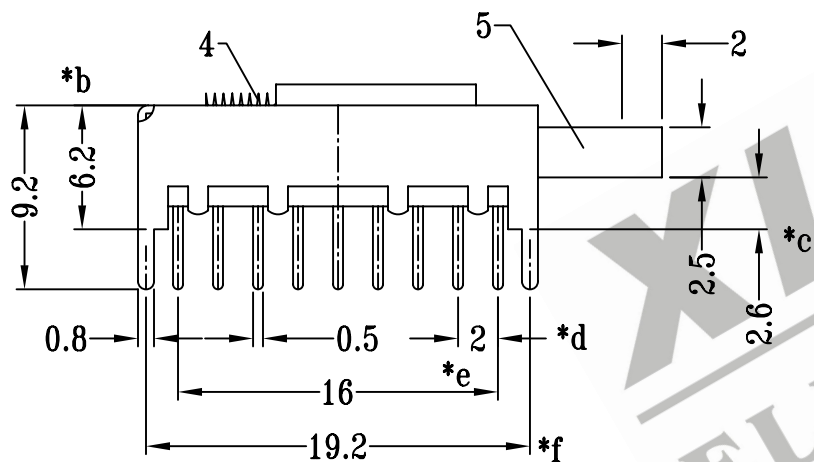
CAD FILE:



SCHEMATIC

NON-SHORTING

SCHEMATIC



P.C.B LAYOUT

注：“\*”表示关键尺寸（8个）

9				
8				
7				
6	CONTACT CLIP	PBS STRIP	6	Ag PLATED
5	KNOB	POM	1	BLACK
4	SPRING	STAINLESS STEEL	1	Ni PLATED
3	TERMINAL	BRASS STRIP	18	Ag PLATED OVER Ni PLATED
2	BASE	PHENOLIC RESIN	1	NATURAL
1	FRAME	STEEL STRIP	1	Ni PLATED
NO.	PART NAME	MATERIAL	Q'TY	FINISHING

TOLERANCE UNLESS SPECIFIED		SHENZHEN XIEJIA ELECTRONICS CO.,LTD.		
WITHIN: 1.5±0.1mm OVER : 1.5±0.2mm		ISSUE	DATE	DESCRIPTIONS
TITLE : PUSH SWITCH		UNIT : MM		DRWG NO : XJ-DR-PS62D18-00
MODEL: PS-62D18		SCALE: 5:2		DWN. ZHOUYU 2004-10-13
ALL MATERIALS MUST BE COMPLIANT TO ROHS		APPD. KANGXINAN		2004-10-13